



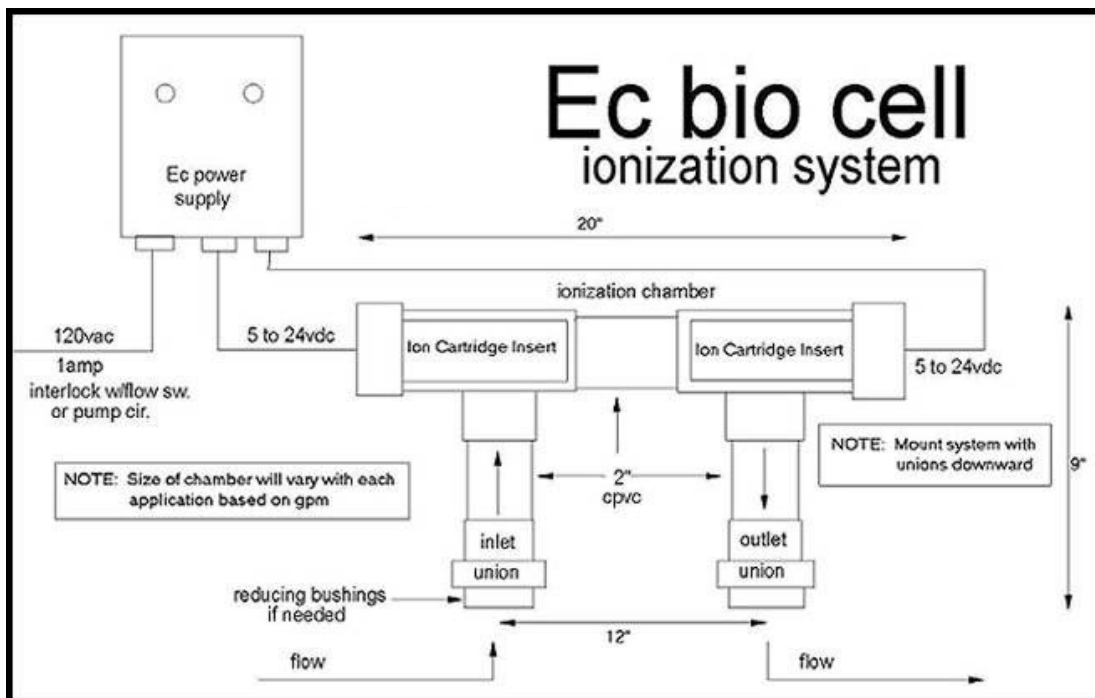
BIO-CELL COPPER/SILVER IONIZERS
UTILISATION OF THE COPPER/SILVER IONISATION PROCESS
FOR WATER DISINFECTION—THE LEGIONELLA KILLER!!

For use in hospitals,retirement homes,medical centres etc. for safeguarding against Legionella outbreaks in water cooling towers,water supply pipework etc.

Now being used widely in hospitals in the USA.Our first installation in the Auckland area will be operational shortly.

Different from pool/spa ionisers in that they are designed to operate at domestic hot water temperature,with a varying flow rate.

No mixing/handling of dangerous chemicals to sanitise your water!!!



Contact us with your requirements—price varies depending on application.